

Figure 29. Hydraulic Hoses - High Dump Models
SWEEPER/SCRUBBER MODELS

AAR Brooks & Perkins
December 15, 1989

HYDRAULIC HOSE DIAGRAM 90 SCRUBBER TOYOTA ENGINE

ITEM #	PART #	DESCRIPTION
1	305881	MAIN BROOM CASE DRAIN TO RESERVOIR
2	300638	SQUEEGEE VALVE "A" TO SQUEEGEE CYL (TEE)
3	300639	SQUEEGEE VALVE "B" TO SQUEEGEE CYL (ELBOW)
4	300641	SQUEEGEE CYL (TEE) TO RESERVOIR
5	300624	DRIVE MOTOR CASE DRAIN TO RESERVOIR
6	300633	LIFT CYL (TOP) TO RESERVOIR
7	300646	HYDRAULIC FILTER (ELBOW) TO RESERVOIR
8	305790	CONTROL VALVE OUTLET TO HYD FILTER (TEE)
9	300652	CONTROL VALVE TO LIFT CYLINDER (LOWER)
10 *	305377	CONTROL VALVE TO ROTATION CYLINDER (UPPER)
11 *	300622	CONTROL VALVE TO ROTATION CYLINDER (LOWER)
12	300802	CONTROL VALVE TO CURB INLET
13	300651	CONTROL VALVE TO CURB OUTLET
14	300612	LIFT CYL (UPPER) TO LIFT CYL (UPPER)
15	300640	CONTROL VALVE TO SQUEEGEE VALVE "C"
16	300618	LIFT CYL (LOWER) TO LIFT CYL (LOWER)
17	305789	HYD FILTER (TEE) TO COOLING COIL
18	300606	AUXILLIARY PUMP TO CONTROL VALVE
19	300608	RESERVOIR TO MAIN PUMP (FRONT) (SUPPLY)
20	300615	CONTROL VALVE TO SCRUBHEAD MOTOR #1
21	305873	MAIN BROOM MOTOR TO COOLING COIL
22	300607	SCRUBHEAD MOTOR #1 TO SCRUBHEAD MOTOR #2
23	300610	MAIN PUMP (FRONT) TO DRIVE MOTOR
24	300629	SCRUBHEAD MOTOR #3 TO MAIN BROOM MOTOR
25	300607	SCRUBHEAD MOTOR #2 TO SCRUBHEAD MOTOR #3
26	300611	MAIN PUMP (REAR) TO DRIVE MOTOR
27	300620	MAIN PUMP CASE DRAIN TO RESERVOIR
28	300653	RESERVOIR TO AUXILLIARY PUMP (SUPPLY)

same #



Qty (2)

(1)

* HIGH DUMP MODELS ONLY

HYDRAULIC HOSE DIAGRAM TSS/80-90 HD KUBOTA ENGINE

ITEM #	PART #	DESCRIPTION
1	305881	MAIN BROOM CASE DRAIN TO RESERVOIR
2	300638	SQUEEGEE VALVE "A" TO SQUEEGEE CYL (TEE)
3	300639	SQUEEGEE VALVE "B" TO SQUEEGEE CYL (ELBOW)
4	300641	SQUEEGEE CYL (TEE) TO RESERVOIR
5	300624	DRIVE MOTOR CASE DRAIN TO RESERVOIR
6	300633	LIFT CYL (TOP) TO RESERVOIR
7	300646	HYDRAULIC FILTER (ELBOW) TO RESERVOIR
8	305790	CONTROL VALVE TO HYD FILTER (TEE)
9	300652	CONTROL VALVE TO LIFT CYL (LOWER)
10	305377	CONTROL VALVE TO ROTATION CYL (UPPER)
11	300622	CONTROL VALVE TO ROTATION CYL (LOWER)
12	300602	CONTROL VALVE TO CURB BROOM (INLET)
13	300651	CONTROL VALVE TO CURB BROOM (OUTLET)
14	300612	LIFT CYL (UPPER) TO LIFT CYL (UPPER)
15	300640	CONTROL VALVE TO SQUEEGEE VALVE "C"
16	300618	LIFT CYL (LOWER) TO LIFT CYL (LOWER)
17	305789	HYD FILTER (TEE) TO COOLING COIL
18	300606	AUXILLIARY PUMP (OUTLET) TO CONTROL VALVE (INLET)
19	300608	RESERVOIR TO MAIN PUMP (INLET)
20	300615	CONTROL VALVE TO SCRUBHEAD MOTOR #1
21	305873	MAIN BROOM MOTOR TO COOLING COIL
22	300607	SCRUBHEAD MOTOR #1 TO SCRUBHEAD MOTOR #2
23	300610	MAIN PUMP (FRONT) TO DRIVE MOTOR
24	300629	SCRUBHEAD MOTOR #3 TO MAIN BROOM
25	300607	SCRUBHEAD MOTOR #2 TO SCRUBHEAD MOTOR #3
26	300611	MAIN PUMP (REAR) TO DRIVE MOTOR
27	300620	MAIN PUMP CASE DRAIN TO RESERVOIR
28	300643	RESERVOIR TO AUXILLIARY PUMP (SUPPLY)

PowerBoss™

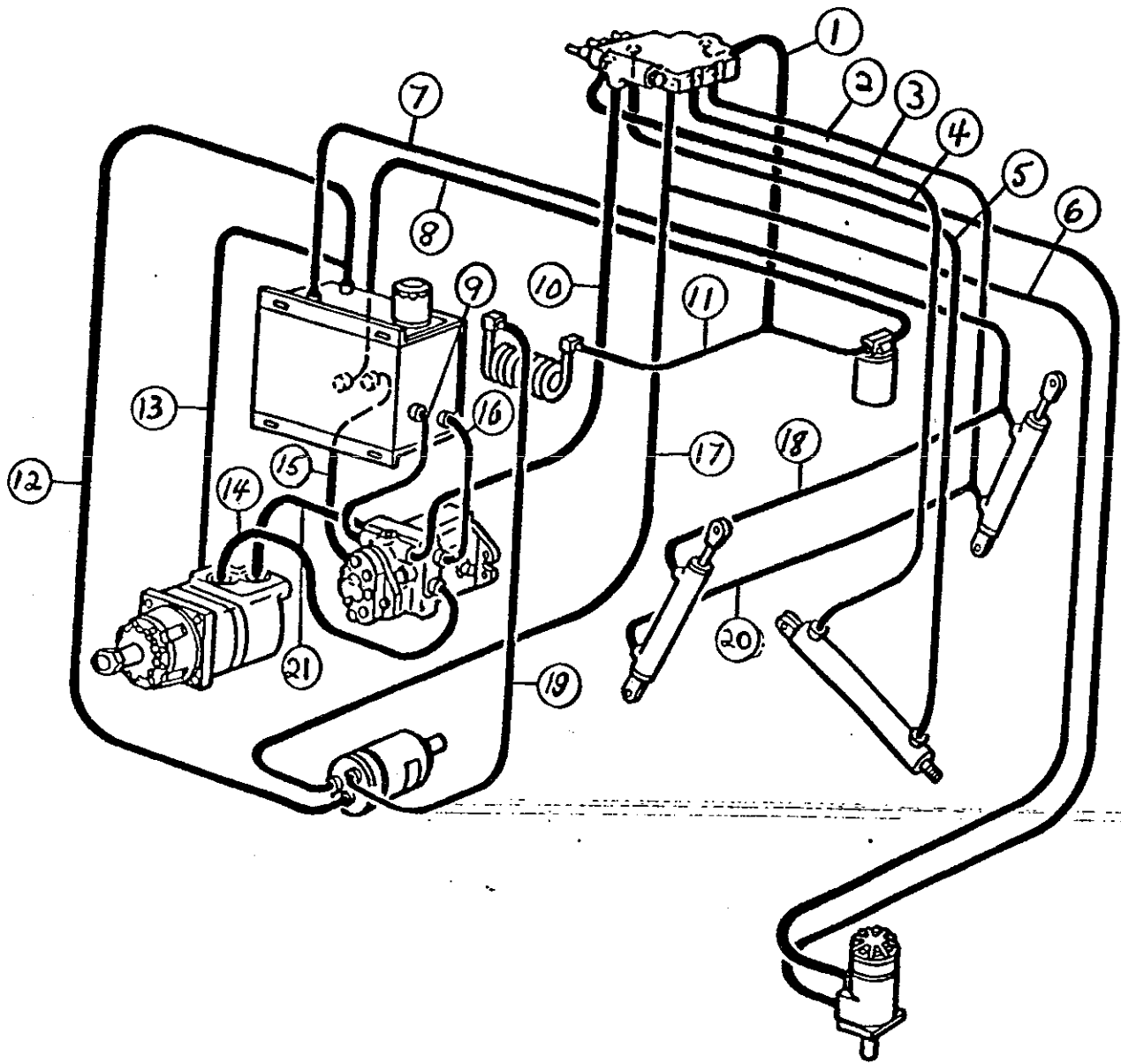
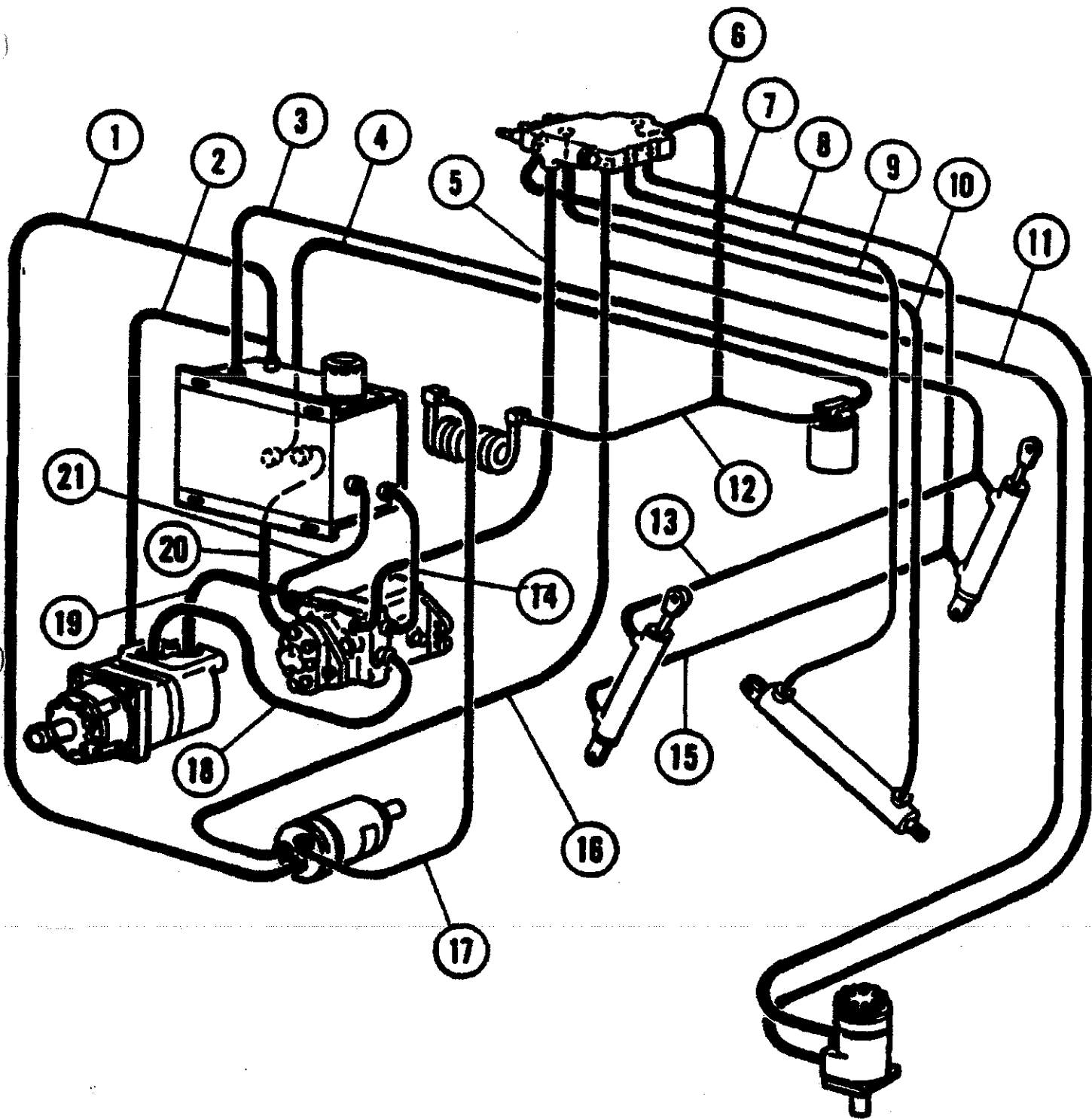


Figure 4-11. Hydraulic Hose Connections (High Dump)
SWEEPER MODELS



Hydraulic Hose Diagram SW/80 Toyota 4P Engine

Item #	Part Number	Description
1.	3305881	HOSE-1/4 AR 86.00 ST#5 90S#4
2.	3300624	HOSE-1/4 HT 83.00 ST#5 90S#4
3.	3300633	HOSE-1/4 AR 79.00 ST#5 ST#5
4.	3300646	HOSE-5/8 HT 52.00 ST#10 ST#12
5.	3305331	HOSE-HYD AUX PUMP TO VALVE
6.	3305790	HOSE-HYD FILTER TO VALVE
7.	3300652	HOSE-1/4 AR 62.00 ST#5 90S#4
8.	3305377	HOSE-1/4 AR 144.00 ST#5 ST#4
9.	3305329	HOSE-HYD VALVE TO CURB BROOM
10.	3300622	HOSE-1/4 AR 133.00 ST#5 ST#4
11.	3305330	HOSE-HYD VALVE TO CB OUTLET
12.	3305789	HOSE-HYD FILTER TO COIL
13.	3300612	HOSE-1/4 AR 79.00 ST#5 90S#5
14.	3300627	HOSE-HYD FRT PUMP TO RESEVOIR
15.	3300618	HOSE-1/4 AR 64.00 ST#5 90S#5
16.	3300615	HOSE-1/2 AR 86.00 ST#8 90S#8
17.	3305873	HOSE-5/8 AR 74.00 ST#10 90S#10
18.	3305375	HOSE-HYD FRT PUMP TO WHL MTR
19.	3300628	HOSE-HYD REAR PUMP TO WHL MTR
20.	3305332	HOSE-HYD AUX PUMP TO RESEVOIR
21.	3300620	HOSE-3/8 HT 95.00 ST#6 ST#6

HYDRAULIC HOSE DIAGRAM SW/80 TOYOTA ENGINE

ITEM #	PART #	DESCRIPTION
1	305790	CONTROL VALVE OUTLET TO HYD FILTER (TEE)
2	300652	CONTROLL VALVE TO LIFT CYL (LOWER)
3	305377	CONTROL VALVE TO ROTATION CYL (UPPER)
4	305329	CONTROL VALVE TO CURB BROOM (INLET)
5	300622	CONTROL VALVE TO ROTATION CYL (LOWER)
6	305330	CONTROL VALVE TO CURB BROOM (OUTLET)
7	300633	LIFT CYL (UPPER) TO RESERVOIR
8	300646	HYD FILTER (ELBOW) TO RESERVOIR
9	300620	MAIN PUMP CASE DRAIN TO RESERVOIR
10	305331	AUXILLIARY PUMP (OUTLET) TO CONTROL VALVE (INLET)
11	305789	HYD FILTER (TEE) TO COOLING COIL
12	305881	MAIN BROOM CASE DRAIN TO RESERVOIR
13	300624	DRIVE MOTOR CASE DRAIN TO RESERVOIR
14	305375	MAIN PUMP (FRONT) TO DRIVE MOTOR
15	305332	RESERVOIR TO AUXILLIARY PUMP (SUPPLY)
16	300627	RESERVOIR TO MAIN PUMP (SUPPLY)
17	300616	CONTROL VALVE TO MAIN BROOM
18	300612	LIFT CYL (UPPER) TO LIFT CYL (UPPER)
19	305873	MAIN BROOM TO COOLING COIL
20	300618	LIFT CYL (LOWER) TO LIFT CYL (LOWER)
21	300628	MAIN PUMP (REAR) TO DRIVE MOTOR

HYDRAULIC HOSE DIAGRAM SW/75II TOYOTA ENGINE

ITEM #	PART #	DESCRIPTION
1	300646	CONTROL VALVE OUTLET TO HYD FILTER (TEE)
2	300652	CONTROL VALVE TO LIFT CYL (LOWER)
3	305377	CONTROL VALVE TO ROTATION CYL (UPPER)
4	305329	CONTROL VALVE TO CURB BROOM (INLET)
5	300622	CONTROL VALVE TO ROTATION CYL (LOWER)
6	305330	CONTROL VALVE TO CURB BROOM (OUTLET)
7	300633	LIFT CYL (UPPER) TO RESERVOIR
8	300604	HYD FILTER (ELBOW) TO RESERVOIR
9	300620	MAIN PUMP CASE DRAIN TO RESERVOIR
10	305331	AUXILLIARY PUMP (OUTLET) TO CONTROL VALVE (INLET)
11	300616	HYD FILTER (TEE) TO COOLING COIL
12	305881	MAIN BROOM CASE DRAIN TO RESERVOIR
13	300624	DRIVE MOTOR CASE DRAIN TO RESERVOIR
14	305375	MAIN PUMP (FRONT) TO DRIVE MOTOR
15	305332	RESERVOIR TO AUXILLIARY PUMP (SUPPLY)
16	300627	RESERVOIR TO MAIN PUMP (SUPPLY)
17	300615	CONTROL VALVE TO MAIN BROOM
18	300612	LIFT CYL (UPPER) TO LIFT CYL (UPPER)
19	300615	MAIN BROOM TO COOLING COIL
20	300618	LIFT CYL (LOWER) TO LIFT CYL (LOWER)
21	300628	MAIN PUMP (REAR) TO DRIVE MOTOR

HYDRAULIC HOSE DIAGRAM SW/90 TOYOTA ENGINE

ITEM #	PART #	DESCRIPTION
1	305790	CONTROL VALVE OUTLET TO HYD FILTER (TEE)
2	300652	CONTROL VALVE TO LIFT CYL (LOWER)
3	305377	CONTROL VALVE TO ROTATION CYL (UPPER)
4	300602	CONTROL VALVE TO CURB BROOM (INLET)
5	300622	CONTROL VALVE TO ROTATION CYL (LOWER)
6	300651	CONTROL VALVE TO CURB BROOM (OUTLET)
7	300633	LIFT CYL (UPPER) TO RESERVOIR
8	300648	HYD FILTER (ELBOW) TO RESERVOIR
9	300620	MAIN PUMP CASE DRAIN TO RESERVOIR
10	300606	AUXILLIARY PUMP (OUTLET) TO CONTROL VALVE (INLET)
11	305789	HYD FILTER (TEE) TO COOLING COIL
12	305881	MAIN BROOM CASE DRAIN TO RESERVOIR
13	300624	DRIVE MOTOR CASE DRAIN TO RESERVOIR
14	300610	MAIN PUMP (FRONT) TO DRIVE MOTOR
15	300653	RESERVOIR TO AUXILLIARY PUMP (SUPPLY)
16	300608	RESERVOIR TO MAIN PUMP (SUPPLY)
17	300650	CONTROL VALVE TO MAIN BROOM
18	300612	LIFT CYL (UPPER) TO LIFT CYL (UPPER)
19	305873	MAIN BROOM TO COOLING COIL
20	300618	LIFT CYL (LOWER) TO LIFT CYL (LOWER)
21	300611	MAIN PUMP (REAR) TO DRIVE MOTOR